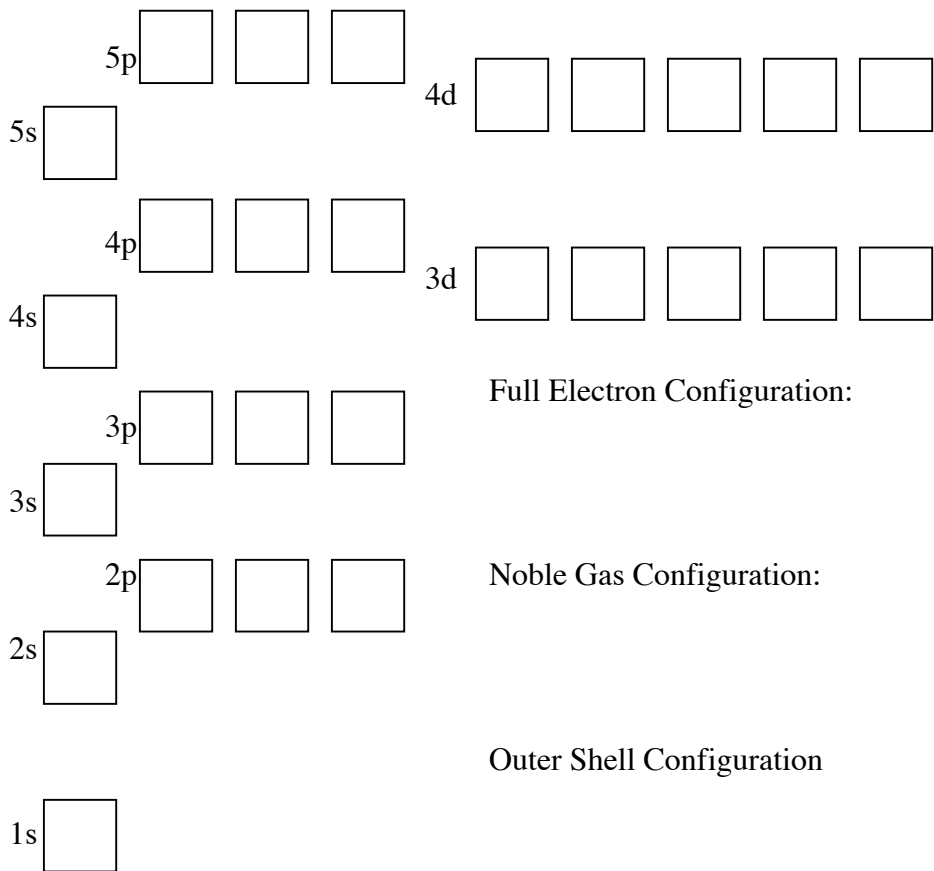


Electron Configuration

Name _____

Strontium

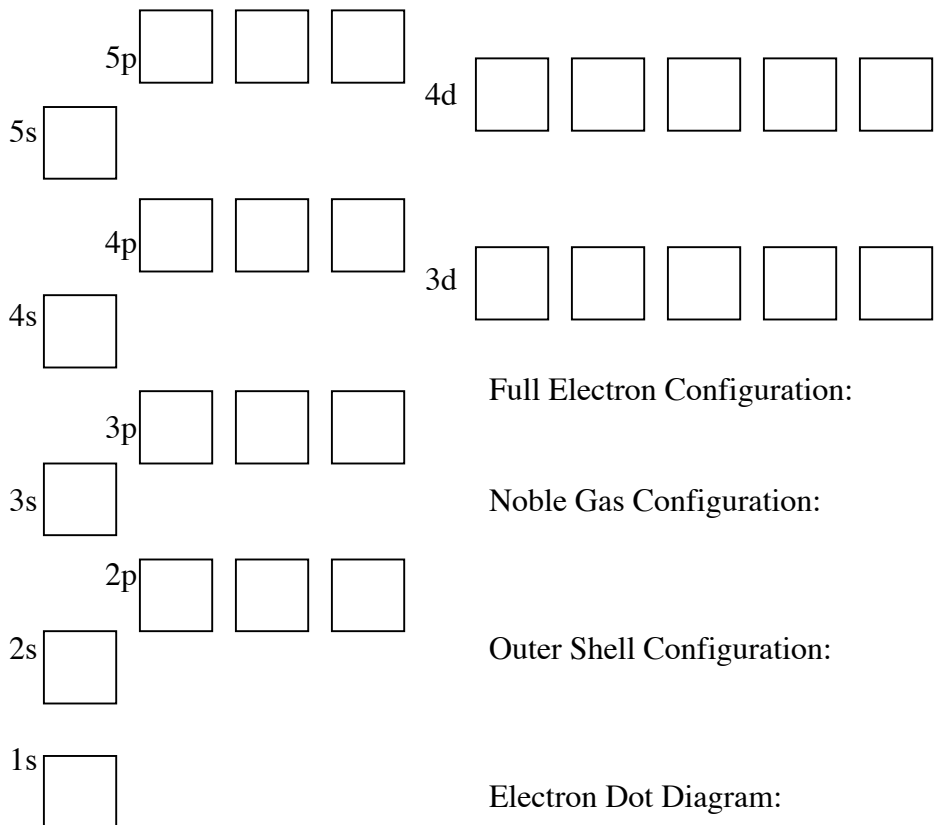


Full Electron Configuration:

Noble Gas Configuration:

Outer Shell Configuration

Arsenic



Dot Diagram

Full Electron Configuration:

Noble Gas Configuration:

Outer Shell Configuration:

Electron Dot Diagram:

Use the link on the class homework page to complete the following table.

Element	Full Electron Configuration	Noble Gas Configuration	Outer Shell Configuration	Electron Dot Diagram
Sn				
Pb				
Al				
O				
Te				

http://ninenet.pbslearningmedia.org/asset/lsp07_int_graphperiodic/