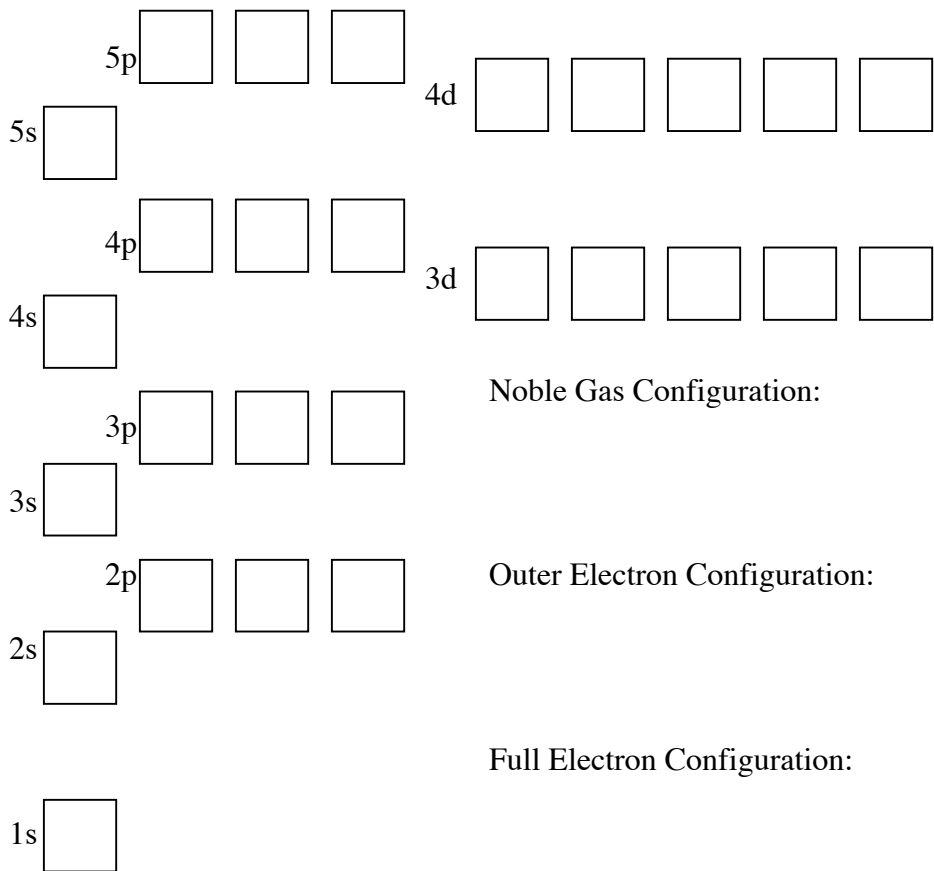


Electron Configuration

Name _____

Iron

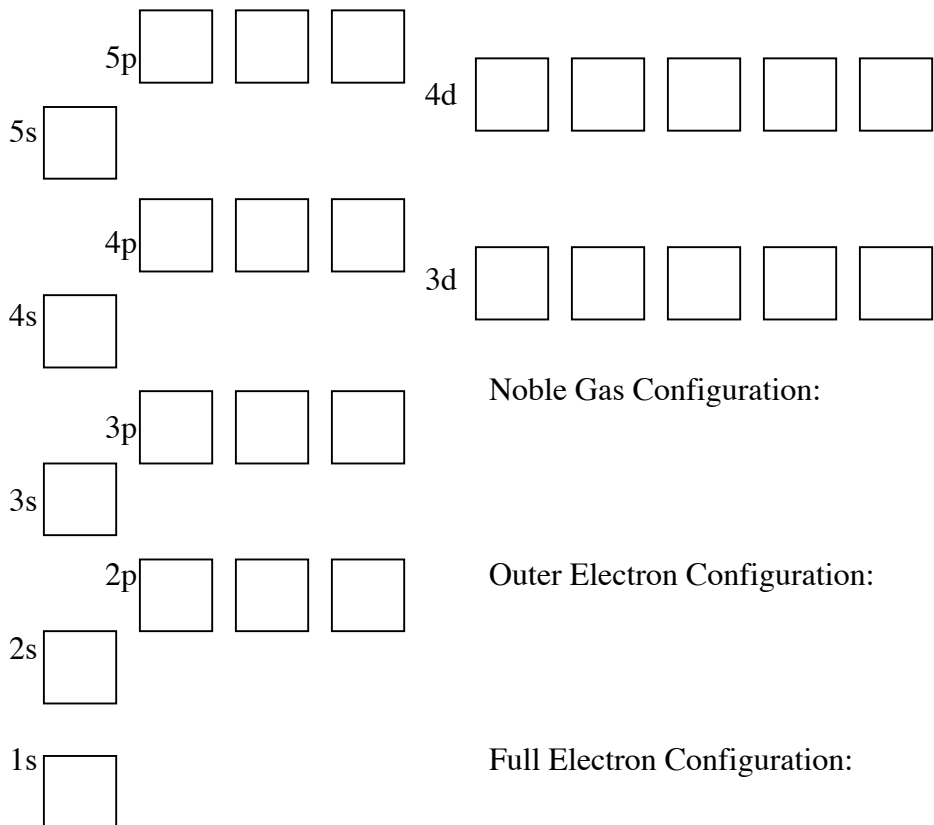


Noble Gas Configuration:

Outer Electron Configuration:

Full Electron Configuration:

Arsenic

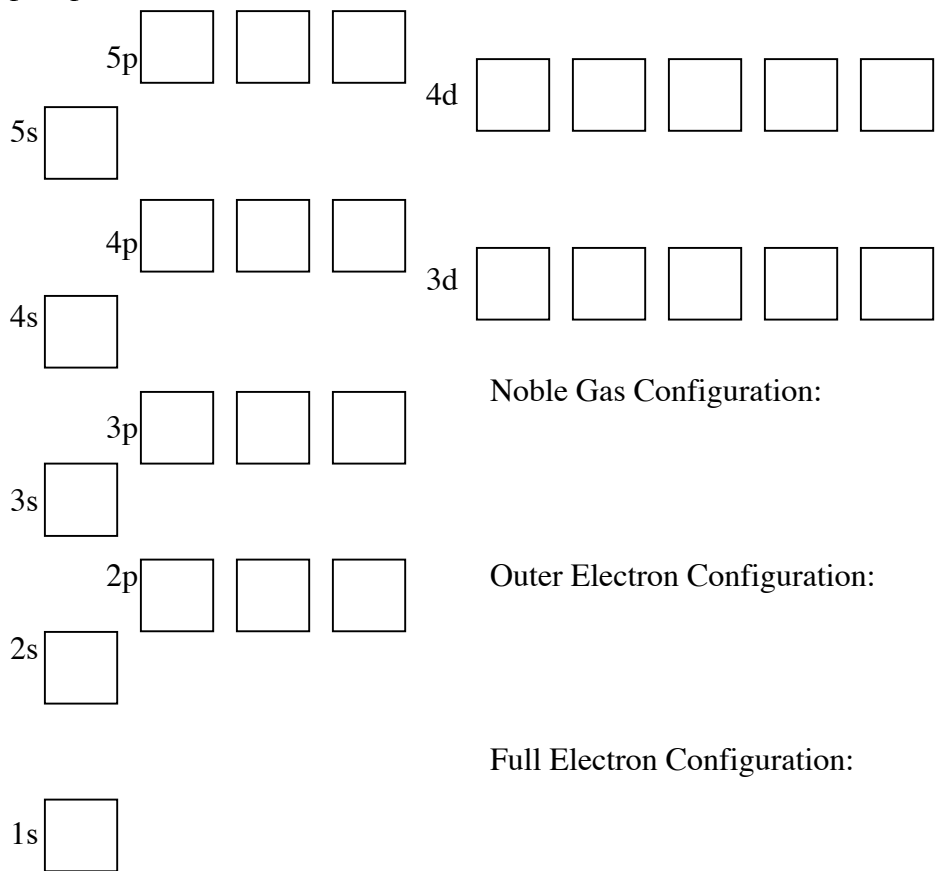


Noble Gas Configuration:

Outer Electron Configuration:

Full Electron Configuration:

phosphorous

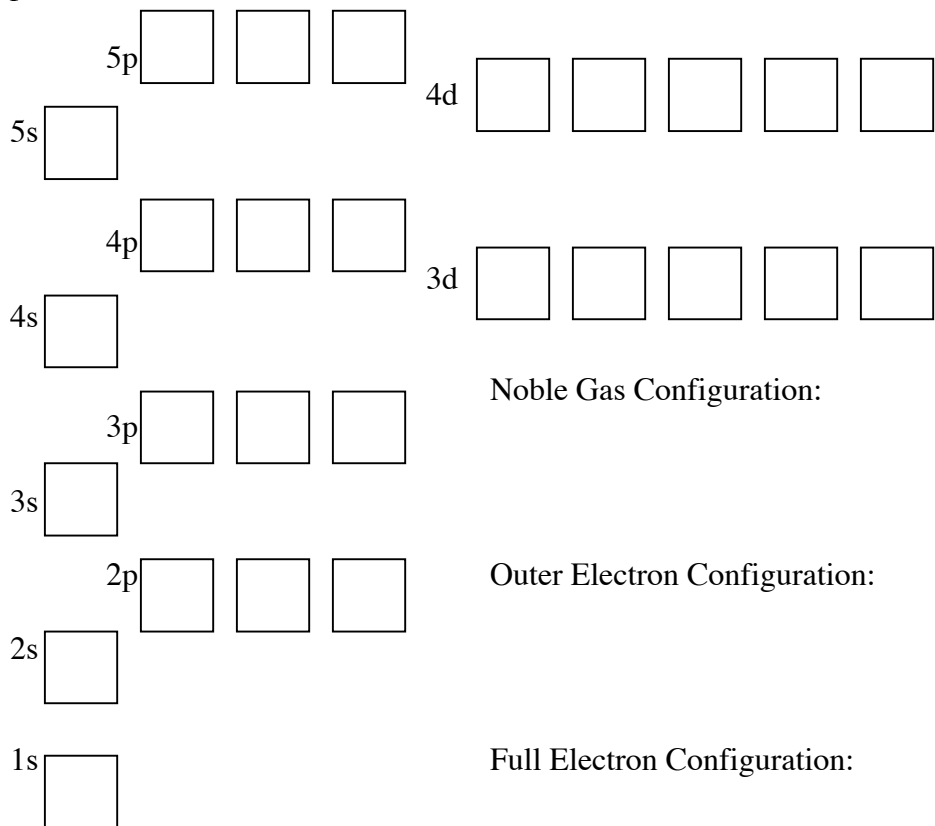


Noble Gas Configuration:

Outer Electron Configuration:

Full Electron Configuration:

potassium



Noble Gas Configuration:

Outer Electron Configuration:

Full Electron Configuration: