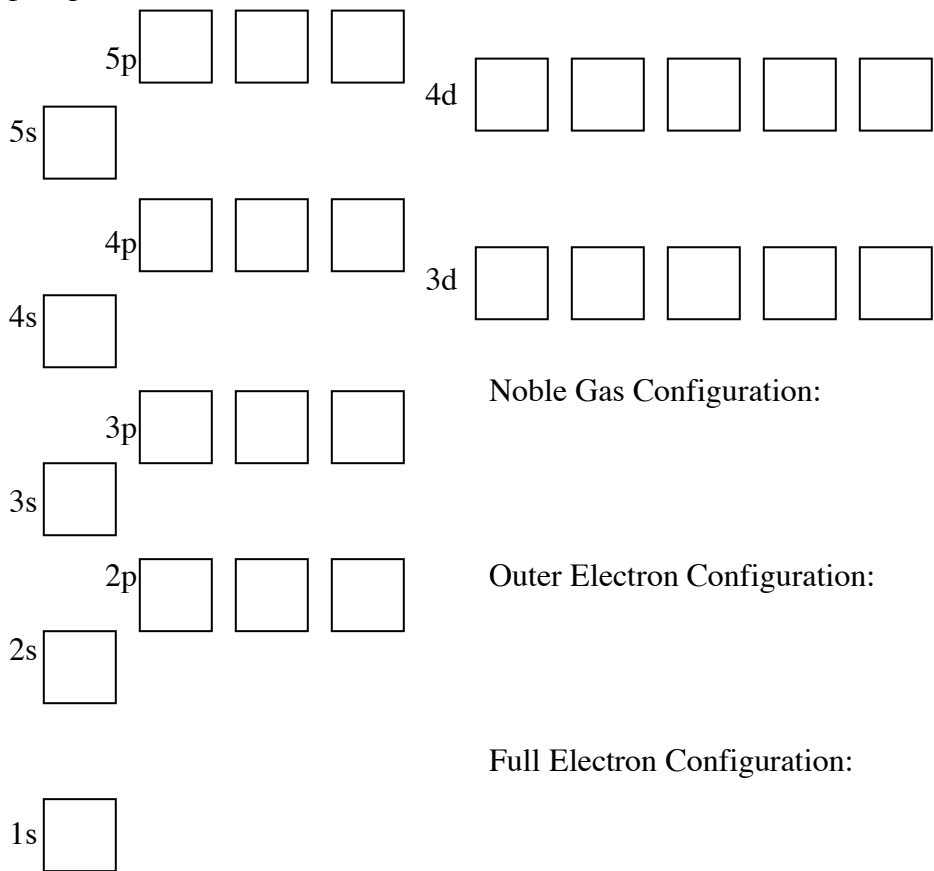


Electron Configuration

Name _____

phosphorous

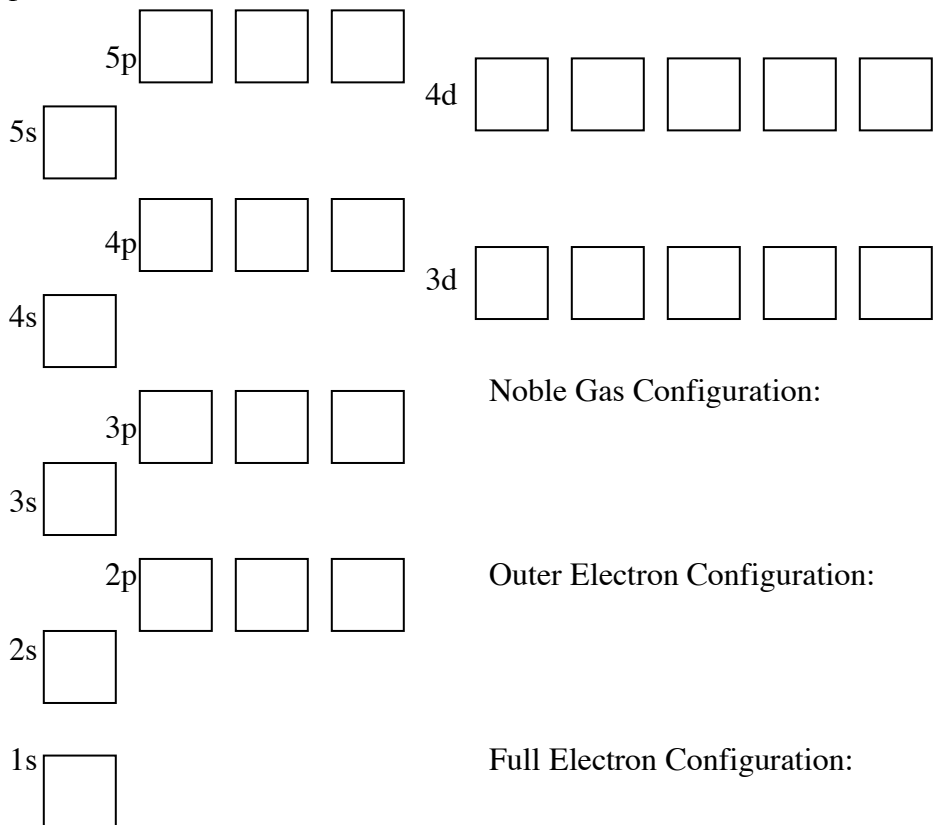


Noble Gas Configuration:

Outer Electron Configuration:

Full Electron Configuration:

potassium

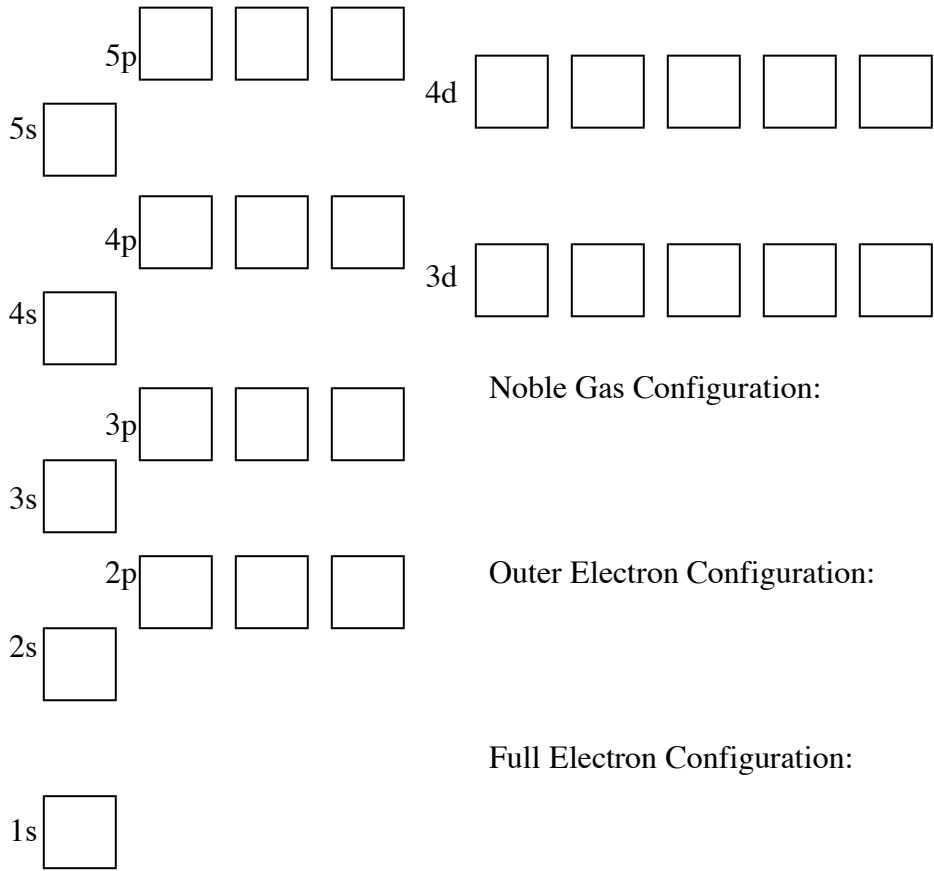


Noble Gas Configuration:

Outer Electron Configuration:

Full Electron Configuration:

Iron

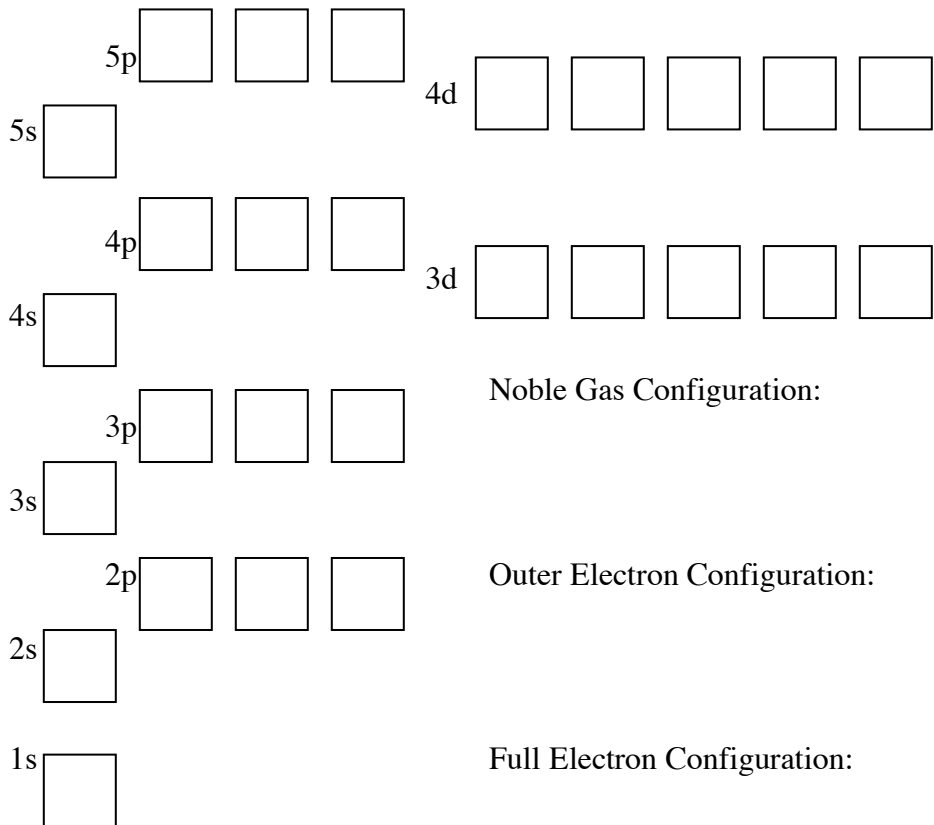


Noble Gas Configuration:

Outer Electron Configuration:

Full Electron Configuration:

Arsenic



Noble Gas Configuration:

Outer Electron Configuration:

Full Electron Configuration:

Electron Configuration

Name _____

Molybdenum

5p	<input type="checkbox"/>	<input type="checkbox"/>	<input type="checkbox"/>	4d	<input type="checkbox"/>	<input type="checkbox"/>	<input type="checkbox"/>	<input type="checkbox"/>	<input type="checkbox"/>
5s	<input type="checkbox"/>								
4p	<input type="checkbox"/>	<input type="checkbox"/>	<input type="checkbox"/>	3d	<input type="checkbox"/>	<input type="checkbox"/>	<input type="checkbox"/>	<input type="checkbox"/>	<input type="checkbox"/>
4s	<input type="checkbox"/>								
3p	<input type="checkbox"/>	<input type="checkbox"/>	<input type="checkbox"/>						
3s	<input type="checkbox"/>								
2p	<input type="checkbox"/>	<input type="checkbox"/>	<input type="checkbox"/>						
2s	<input type="checkbox"/>								
1s	<input type="checkbox"/>								

Noble Gas Configuration:

Outer Electron Configuration:

Full Electron Configuration:

Tellurium

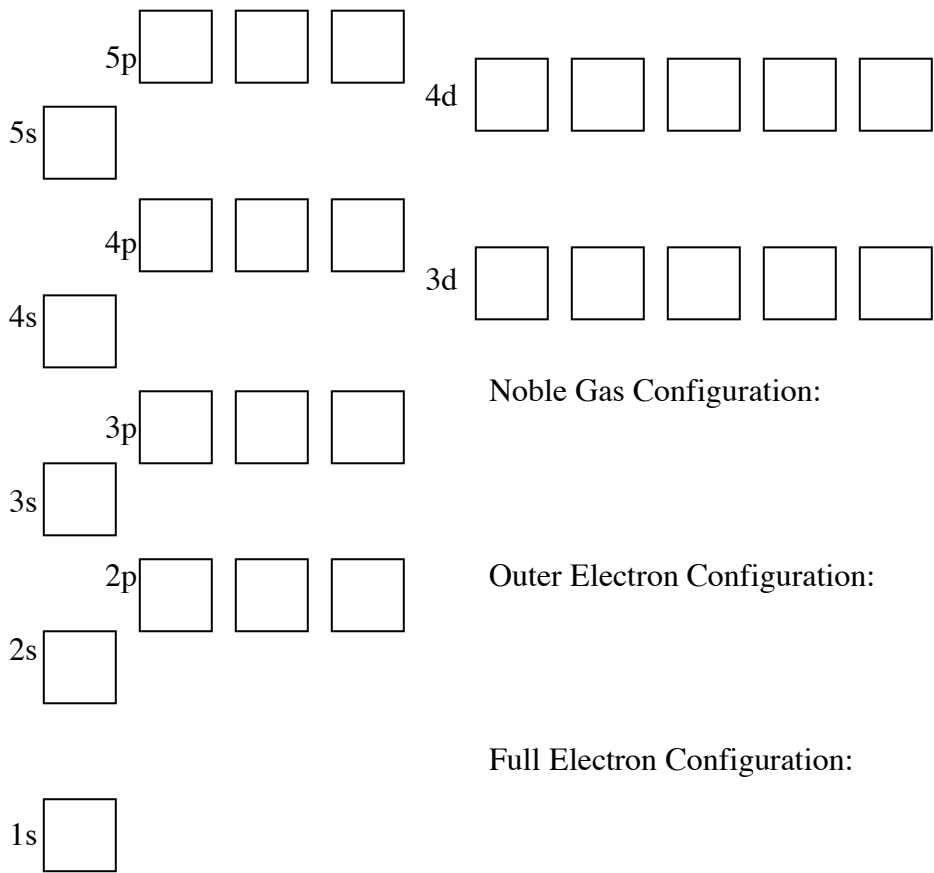
5p	<input type="checkbox"/>	<input type="checkbox"/>	<input type="checkbox"/>	4d	<input type="checkbox"/>	<input type="checkbox"/>	<input type="checkbox"/>	<input type="checkbox"/>	<input type="checkbox"/>
5s	<input type="checkbox"/>								
4p	<input type="checkbox"/>	<input type="checkbox"/>	<input type="checkbox"/>	3d	<input type="checkbox"/>	<input type="checkbox"/>	<input type="checkbox"/>	<input type="checkbox"/>	<input type="checkbox"/>
4s	<input type="checkbox"/>								
3p	<input type="checkbox"/>	<input type="checkbox"/>	<input type="checkbox"/>						
3s	<input type="checkbox"/>								
2p	<input type="checkbox"/>	<input type="checkbox"/>	<input type="checkbox"/>						
2s	<input type="checkbox"/>								
1s	<input type="checkbox"/>								

Noble Gas Configuration:

Outer Electron Configuration:

Full Electron Configuration:

Germanium

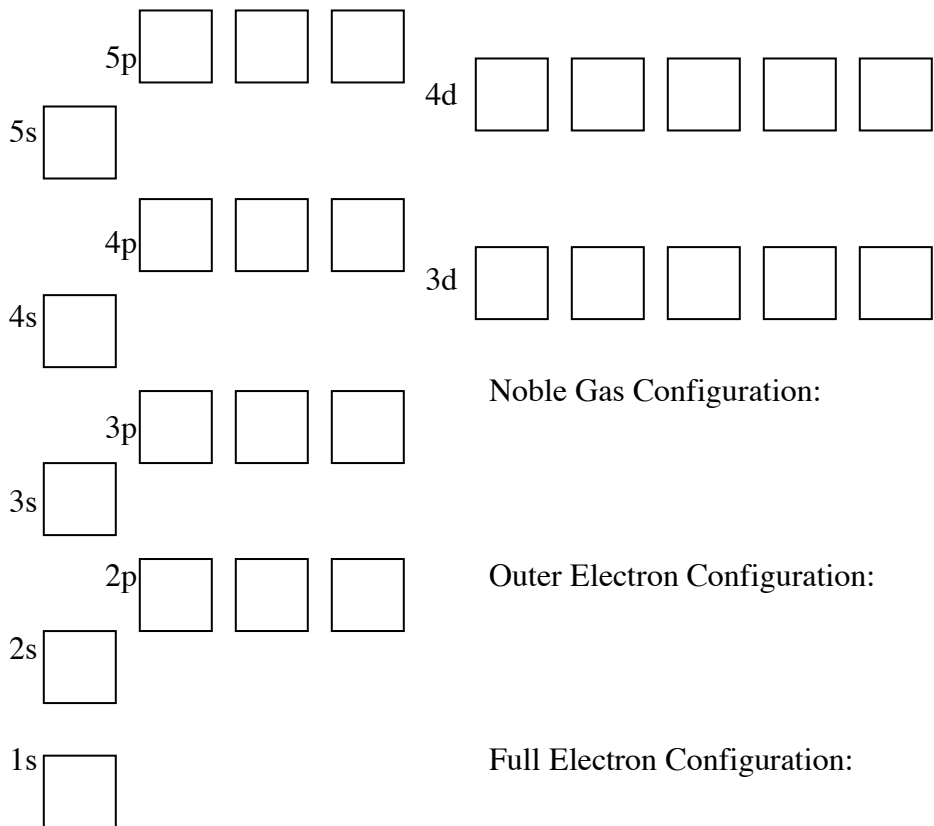


Noble Gas Configuration:

Outer Electron Configuration:

Full Electron Configuration:

Strontium



Noble Gas Configuration:

Outer Electron Configuration:

Full Electron Configuration: